

Product-Category Rules (PCR)
for Preparing an Environmental Product
Declaration (EPD) for
Current Vector Variable Frequency Drives
PCR 2017:1.0

TECO ELECTRIC & MACHINERY CO., LTD.

Version 1.0
2017-11-30

Table of Contents

1. General information	3
2. Company and product description	3
2.1 Product group functions.....	4
2.2 Product components.....	4
2.3 Product technical description.....	5
2.4 Product lifetime.....	5
3. List of materials and chemical substances	5
4. Declared unit or functional unit	6
5. System boundaries	6
5.1 Specification of different boundary settings	8
6. Cut-off rules	10
7. Allocation rules	10
8. Units	11
9. Calculation rules and data quality requirements	12
10. Parameters to be declared in the EPD	14
11. Recycling information.....	17
12. Other environmental information (Optional).....	17
13. Information about the certification.....	19
14. References	20
Appendix I – Generic Data Sources to Refer to.....	21
Appendix II – Reporting Format for the EPD	22
Appendix III Abbreviations	25
Appendix IV List of Impacts Categories for Optional (Voluntary) Declaration	26

1. General information

This document is intended to be used as the product category rules (PCR) for the manufacturing of current vector variable frequency drives (“product”) globally. This PCR covers products with the Central Product Classification Code (CPC Code) of 46122, and Harmonized System (HS) Code of 8504.40 (electrical static converters). The requirements specified in this PCR are intended to be used for EPDs certified in accordance with the ISO 14025 standard. This document shall be valid until November 30, 2020.

This PCR was first drafted by the TECO Electric & Machinery, Co. Ltd. Representatives from major Taiwanese manufacturers of similar products and stakeholders were then invited by the Taiwan Electric and Electronic Manufacturers’ Association (TEEMA) to the open consultation meeting held on November 3, 2017, to participate in the discussion and review of the draft PCR. The Environment and Development Foundation (EDF) subsequently reviewed and approved this PCR.

For further information and comments concerning this PCR, please contact: TECO ELECTRIC & MACHINERY CO., LTD. Lianji Lin director (Tel: 886-2-66159111, Ext 1530, Fax: 886-2-55580168; Email: l.c.lin@ teco.com.tw).

2. Company and product description

The EPD shall include information about the manufacturing company/organization. The information may include manufacturing process related information, and environmental management related information, such as the environmental management system information. The information may also include special issues, which the company/organization would like to emphasize, such as the products meeting certain environmental criteria, or environmental safety, and health related information.

This PCR covers the whole life cycle stages of the current vector variable frequency drives, and is applicable to the Business-to-Business (B2B) communications. During the inventory of product related environmental impacts, the scope of inventory shall also cover the accessories and packaging materials.

2.1 Product group functions

The main purpose and uses of the current vector variable frequency drives (“products”) are to convert source voltage and current into appropriate voltage and current for use in driving motors. The products are widely used in industrial and commercial applications (excluding household applications).

2.2 Product components

The product’s components may include but not limited to the following main components, secondary components, and packaging materials.

Main components:

- **Converter unit:** Convert alternating current (AC) into direct current (DC). For example, bridge rectifier (diode).
- **DC link unit:** Stabilize the DC voltage ripple to facilitate subsequent control of inverter unit, e.g., electrolytic capacitors.
- **Inverter unit:** Convert DC to AC, e.g., insulated gate bipolar transistors (IGBTs).
- **Power supply unit:** Provides power to drive all components of the product.
- **Controller unit:** Firmware program used to control motor according to customer’s parameter settings when coupled with relevant wiring.
- **Cooling unit:** Increase the cooling area or cooling effect of the product, e.g., heat sink or fan.
- **Case:** Outer shell of the product, e.g., plastic or metal case.

Secondary components

- **Main terminal:** The bridge connecting the power grid and inverter.
- **Insulation material or cooling medium:** For example, silicone film, insulation sleeve, insulation paper, and glass fiber materials.
- **Magnetic unit:** reactor or inductor
- **Others:** For example, wire, copper bar, iron core.

Packaging materials: For example, paper boxes and pallets.

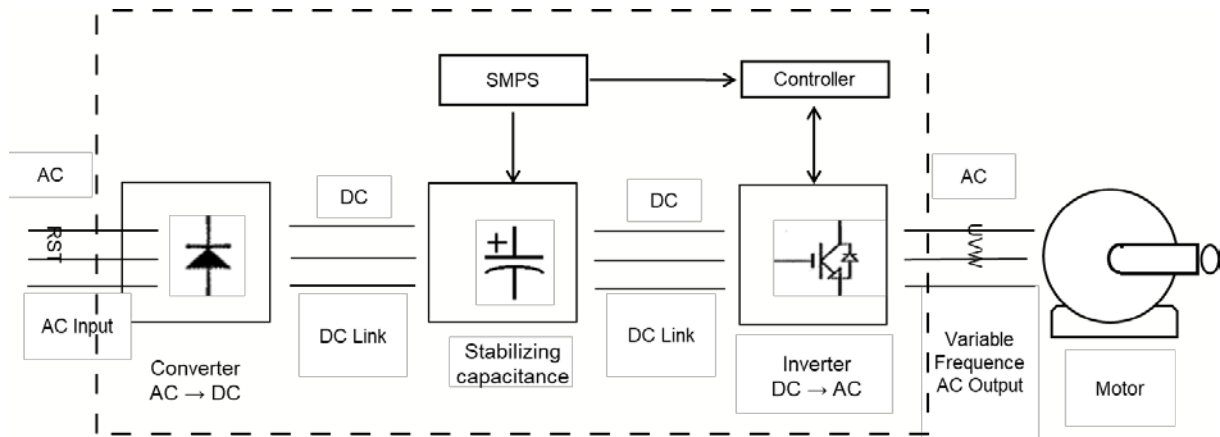


Figure 1 Schematic diagram for components of a current vector variable frequency drive

2.3 Product technical description

The product technical description part of the EPD may include but not limited to the following information:

- **Number of phase:** Single phase or three phase.
- **Input frequency:** 50HZ or 60HZ.
- **Input specification (voltage / current):** Based on customer's need or settings.
- **Output specifications (voltage / current):** Settings adjusted based on customer's need.
- **Current vector control:** Support control of induction motor and permanent magnet motor to enable optimal operation of the motor.

2.4 Product lifetime

Product design life: The products are generally designed to have a useful service life of ten (10) years, under ambient temperature of 40°C and 80% load.

3. List of materials and chemical substances

The contents of the following materials and substances in the product shall be declared:

- All materials of the product (excluding packaging material) with weight ratio (material weight/product weight (excluding packaging)) $\geq 1\%$;
- All materials of the packaging with weight ratio (material weight/packaging weight) $\geq 1\%$;
- All substances/materials in the product restricted/regulated by legal and customer requirements.

The materials of the main components shall meet the requirements of *CNS15663 - use of restricted chemical products in electrical equipment*, regarding the substances restricted by EU's RoHS Directive (latest edition). These materials may only be used when appropriate evidences are available (for example, test reports from accredited laboratories/testing facilities). The following organizations may provide accreditation for testing facilities: Taiwan Accreditation Foundation (TAF), (Asia Pacific Laboratory Accreditation Cooperation (APLAC), International Laboratory Accreditation Cooperation (ILAC) or ILAC Mutual Recognition Arrangement (ILAC MRA). For definitions of testing methodology and confirmations of regulated hazardous substances based on the accredited laboratories' product testing methods, please refer to IEC 62321 Standard.

4. Declared unit or functional unit

The declared unit is one (1) unit of current vector variable frequency drive (“product”), with the indication of product’s model/type number, phase of input power (single/three phase), input current/voltage and output current/voltage. The reason for adopting this unit is that the product is sold and marketed in this unit.

5. System boundaries

The main system boundaries for the declared product system are presented as follows:

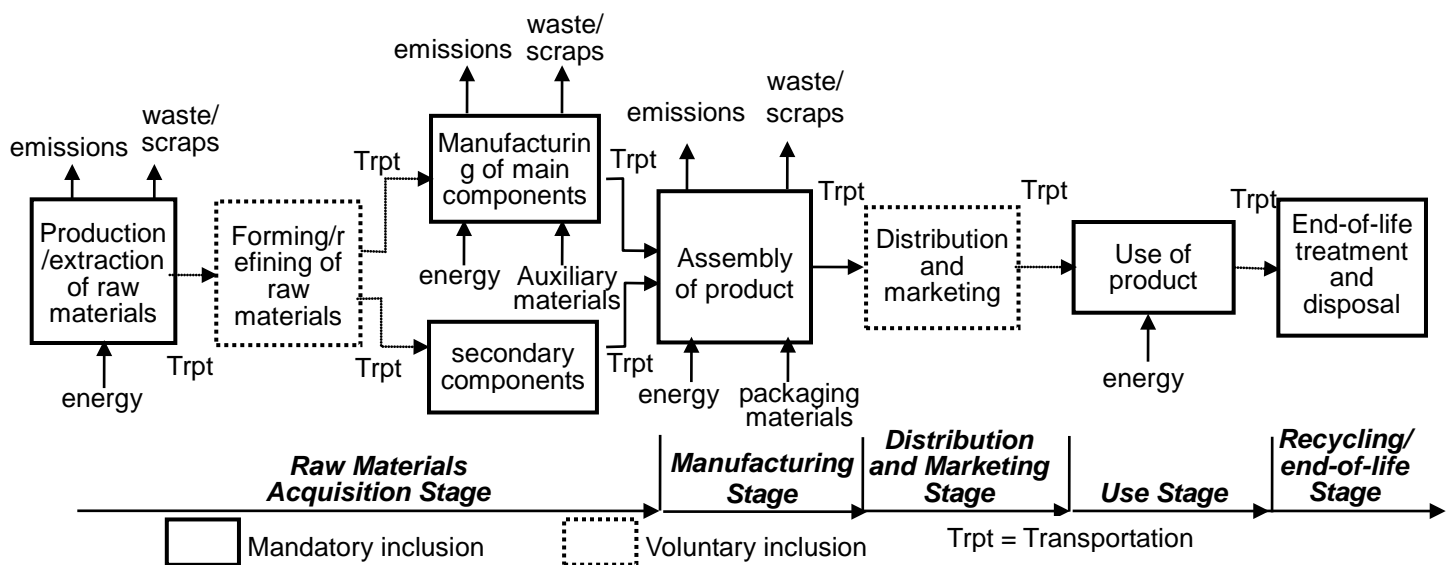


Figure 2 System boundary of the product system

As noted in Figure 2 above, the life cycle of a current vector variable frequency drive (“product”) covers five life cycle stages: raw material acquisition, product manufacturing, distribution and marketing, product use and recycling/end-of-life. The data quality requirements for the life cycle inventory data of the main components are described in Section 9 on calculation rules and data quality requirements. Data related to other components shall also be included in the EPD, but their data quality requirements are different from those of the main components. The declaration of recycling information is voluntary (see Section 11). The system boundaries and required information for the various life cycle stages are described as follows.

Raw Materials Acquisition Stage

The LCA shall include information for the following unit processes:

- Composition and weight of materials for the components (including packaging materials);
- Transportation information (e.g., means of transportation and distance travelled) related to transportation of finished components to product assembly plant;
- Information on quantities and treatment of emissions related to component manufacturing processes;
- Transportation of process waste related to component manufacturing and product assembly processes to the next stage facilities;
- Packaging materials’ raw materials and weight information.

The data quality requirements for the components are described in Section 9 on calculation rules and data quality requirements. Data related to the packaging material or accessories shall also be included in the EPD, but their data quality requirements are different from those of the main components.

Manufacturing Stage

The LCA shall include information for the following unit processes:

- Processes related to assembly of product;
- Inputs and waste outputs related to the product assembly processes.

The data quality requirements for the main components are described in Section 9 on calculation rules and data quality requirements. Data related to the minor/secondary components shall also be included in the EPD/CFP, but their data quality requirements are different from those of the main components.

Distribution and Marketing Stage

The LCA shall include information for the following unit processes:

- Transportation of products to the distribution sites or customer designated locations;
- Inventory and reporting of distributors' operations and transportation from sales/distribution sites to users is optional (voluntary).

Use Stage

If the product is used in user/customer side applications, information related to operation under ambient temperature of 40°C and full-load power loss shall be provided, so as to facilitate the design of heat dissipation for the switchboard, in order to meet the specifications for product's operating conditions. The total power consumption of the product is calculated as follows:

Total power consumption (kWh) = Full load power loss (kW) x Usage time (h/year) x Product life x 80%

Recycling/end-of-life Stage

- Reporting of recycling information (such as recycling and dis-assembly report or information on recycling channels) is voluntary (optional) in the EPD; and the environmental impact shall be calculated based on the declared recycling rate;
- If there are potential recycling benefits associated with the recycler's recycling technologies or recycling approach, information related to such benefits shall be provided in the EPD.

5.1 Specification of different boundary settings

Boundary in time

The validity period for the LCA results presented in the LCA report shall be defined.

Boundary towards nature

If the manufacturing processes are located within Taiwan, the solid waste categories as defined in Taiwan's Waste Disposal Act shall be adopted. If the processes are located in other countries, equivalent legal requirements shall be considered.

The natural boundary of the system shall describe the boundary where the materials and energy resources flow from nature into the system, and where the water and air emissions and waste are released out of the system.

Only the quantity of the disposed waste needs to be considered; the landfilling process does not need to be considered. If the waste is generated through wastewater treatment or incineration process, such waste should be included into the wastewater treatment or incineration process.

Boundaries in the life cycle

The boundaries in the product life cycle are described in Figure 2. The construction of the site and infrastructure, as well as the production of manufacturing equipment and activities of site operators do not need to be included.

Boundaries towards other technical systems

Boundaries towards other technical systems describe the inputs of material and other components towards other systems, as well as outputs of materials towards other systems. For the inputs of recycled materials and energy towards the product manufacturing stage, the transportation between the recycling process and use of recycled materials shall be included in the data set. For the production of recyclable products during the manufacturing stage, the transportation towards the recycling process shall be included.

(Note: Further explanations are provided in Section 7 on open-loop recycling.)

Boundaries regarding geographical coverage

The manufacturing stage may cover manufacturing processes located on any sites around the world. For processes located in a specific region, the data used should be representative of the region. The data for the main constituents shall be the specific regional data for the

region where the process takes place (see Section 9). For ease of comparison, no matter where the emissions are generated, the same environmental impact parameters should be used for life cycle impact assessment (see Section 10).

6. Cut-off rules

For any impact category, if the sum of various impacts from a specific process/activity is less than 1% of the impact equivalent in that category, such a process/activity may be neglected during the inventory analysis. Nonetheless, the accumulated impact of neglected process/activity may not exceed 5%. That is, at least 95% of the potential life cycle emissions shall be evaluated. Components and materials omitted from the LCA shall be documented.

(Note: This judgment for this “1% Rule” is based on the environment relevance assessment of material input to the system, and does not consider special and exceptional environmental impacts.)

7. Allocation rules

The main allocation rules shall be valid for the entire product system. For other secondary processes, other allocation rules may be defined; however, the use of these rules should be justified. Product-specific information should be preferentially collected in order to avoid the need for allocation. While selecting allocation rules, the following principles are recommended.

- **Multi-output:** The allocations are based on the changes in the resource consumption and pollutant emissions (for example, adopted quantity allocation for some main component, or surface allocation for some components), following the changes in the studied system’s output product or function or economical relationship.
- **Multi-input:** The allocation is based on actual relationship. For example, the manufacturing process’s emissions may be affected by the change in waste flow input.
- **Open loop recycling:** For the input of recycled materials or energy during the manufacturing stage of the product system, the transportation between the recycling process and the recycling to material use shall be included in the dataset. For the product which shall be recycled during the manufacturing stage, the transportation towards the recycling process shall be included.

(Notes: - Allocation may be avoided through avoidance of dividing processes, for example as described in Section 6.3 of ISO/TR 14049; or through expansion of system boundary (for example as described in Section 6.4), so that the amended system shares the same product exchanges as the original system.)

8. Units

The base units and derived units of the International System of Units (SI, *Système International d'unités*) shall be used preferentially.

Power & energy units:

- power unit: W
- energy unit: J
- voltage unit: V
- current unit: A

Specification units:

- length unit: m
- capacity unit: m³
- area unit: m²
- weight unit: kg

Optical unit:

- luminous flux unit: lm
- color temperature unit: K

If necessary, prefixes may be used before the SI units:

- 10⁹ = giga, symbol "G"
- 10⁶ = mega, symbol "M"
- 10³ = kilo, symbol "k"
- 10⁻² = centi, symbol "c"
- 10⁻³ = milli, symbol "m"

- 10^{-6} = micro, symbol “ μ ”
- 10^{-9} = nano, symbol “n”

9. Calculation rules and data quality requirements

Data quality requirements for the raw material acquisition stage

- Generic data may be used for the extraction, production, forming and refining of raw materials used for product’s parts and components. Please refer to Appendix I for the common sources of generic data.
- When generic data are used, the equivalence between the chemical and/or physical process or at least the same technical range of referred systems shall be considered. Moreover, it is also recommended to consider the date or geographic aspects of the data quality when feasible.

Data quality requirements for the manufacturing stage

- Site specific data (for example, specific data for manufacturing plant or transportation) shall be used for the manufacturing and assembly of the product.
- Generic data may also be used when contract manufacturers refuse to provide specific data, or when even if generic data are used in place of specific data, there is only minor impact to the results. The general rule is that if generic data are used in place of specific data, their combined contribution for all life cycle stages shall not be greater than 20% of total impacts for each impact category. However, there may be certain exception to specific products, and such exceptions shall be explained.
- When generic data are used, the equivalence between the chemical and/or physical process or at least the same technical range of referred systems shall be considered. Moreover, it is also recommended to consider the date or geographic aspects of the data quality when feasible.
- The data shall be representative for the average of a specific year. If the average data for a specific year cannot be obtained, average data for a specific time period may be used. However, the selected specific time period should be representative, and the reason for using such data shall be provided.
- The electricity mix for the manufacturing stage should be site specific data. If site specific data cannot be obtained, the official electricity mix for the country where the

site is located may be used as approximate value. The electricity mix should be documented.

- For the definition of hazardous waste, the definition as defined in Taiwan's Waste Disposal Act shall be used for sites located in Taiwan. For sites located outside Taiwan, legal requirements for the host country shall be observed.
- For the transportation of main components/materials to the manufacturing plant, the actual transportation modes used and distance traveled shall be considered.

Note: For purpose of inventory and declaration of product carbon footprint, where the organization implementing this PCR does not contribute 10% or more to the upstream GHG emissions of the product or input prior to its provision to another organization or the end-user, the primary activity data requirement shall apply to the emissions arising from those processes owned, operated or controlled by the first upstream supplier that does contribute 10% or more to the upstream GHG emissions of the product or input.

Data quality requirements for the distribution and marketing stage

- For transportation of products to the downstream distributors/retailers, the actual mode of transportation and distance traveled shall be considered.

Date quality requirements for the use stage

- The energy consumption during the product use stage scenario shall be included.
- The energy consumption of the product shall be determined based on testing methodology stipulated in applicable international, national or industrial standards of the countries or regions the product is marketed.
- For the electricity mix for the use stage, the official electricity mix for the country where the product is exported may be used as approximate value or generic data. Please refer to Appendix I for the common sources of generic data. When generic data are used, the equivalence between the chemical and/or physical process or at least the same technical range of referred systems shall be considered. Moreover, it is also recommended to consider the date or geographic aspects of the data quality when feasible.

Date quality requirements for the recycling/end-of-life stage

- For transportation of end-of-life product as post-consumer waste for delivery to processors or recyclers, the data from national or industry sources or consumer behavior surveys can be used. When such data cannot be obtained, evaluation based on assumed scenario can be made, and the assumptions for such a scenario shall be reported in the EPD.
- Generic data may be used during the recycling/end-of-life stage, if for specific reason the site specific data for the recycling/waste disposal system cannot be obtained. Then generic data and recycling rate may be used to calculate environmental impact. Please refer to Appendix I for the common sources of generic data.

10. Parameters to be declared in the EPD

The following parameters shall be declared in the EPD:

Energy consumption

- Consumption of energy (e.g., electricity or other energy) shall be declared for all stages of the product life cycle. For use of products at the user side, the quantities of consumed electricity, oil, coal, gas and other fuels or purchased energy shall be declared.

Resource use

- non-renewable resources
 - materials resources
 - energy resources (used for energy conversion purposes)
- renewable resources
 - material resources
 - energy resources (used for energy conversion purposes)
- secondary resources

- material resources (pre-consumer or post-consumer recycling and reuse)
 - energy resources (used for energy conversion purposes)
- recovered energy flows (such as thermal energy) expressed in MJ
- water resource use indicators shall also be calculated from the life cycle inventory. These indicators do not constitute a “water footprint” as potential environmental impacts due to the water use in different geographical locations is not captured. The minimum indicators for water resource use in the EPD shall be:
 - total amount of water (consider make-up water for in-plant recycling and reuse)
 - direct amount of water used by the core process
- The following requirements for the water resource use indicators apply (in part adopted from water footprint inventory in *ISO 14046 Environmental management - Water footprint - Principles, requirements and guidelines*):
 - water use includes evaporation, transpiration, product integration, release into different drainage basins or the sea, displacement of water from one water resource type to another water resource type within a drainage basin (e.g. from groundwater to surface water). In-stream water use is not included.
 - for water used in closed loop processes (such as cooling system) and in power generation only the net water consumption (such as reintegrations of water losses) should be considered.
 - sea water shall not be included in the indicator.
 - tap water or treated water (e.g. from a water treatment plant), or waste water that is not directly released in the environment (e.g. sent to a wastewater treatment plant) are not elementary water flows, but intermediate flows from a process within the technosphere.
 - additional transparency in terms of geographical location, type of water resource (e.g., groundwater, surface water).

The following requirements on the resource declaration shall also apply:

- all parameters for resource consumption shall be expressed in mass, with the exception of renewable energy; resources used for the generation of hydroelectric, wind electricity and solar energy, which shall be expressed in MJ;
- all parameters shall not be aggregated but reported separately. Resources which contribute for less than 5% in each category shall be included in the resources list as “other”;
- nuclear power shall be reported among the non-renewable energy resources as kg of uranium calculated by converting the thermal energy (MJ) considering a reactor of III generation with an efficiency of 33%;
- the PCR can define other resources (for example rare materials originating from the LCI data) which may be listed and detailed in the EPD for each specific product category;
- the energy content of some products (such as paper or plastic based products) is useful information for the end of life management. For this reason, the “energy content of product” shall be declared in MJ: its estimation shall be made considering the gross calorific value of the product. Only the energy that is suitable for an eventual energy recovery at the end of life shall be considered (energy content of steel due to its carbon content, for example, shall not be considered since it is not practically recoverable);
- energy content of biomass used for feed or food purposes shall not be considered.

Impact equivalents expressed as potential environmental impacts

The potential environmental impacts associated with the various types of use of resources and pollutant emissions shall be reported into the following impact categories:

- Emission of greenhouse gases (expressed as the sum of global warming potential, GWP, 100 years, in CO₂ equivalents).
- Emission of acidifying gases (expressed as the sum of acidifying potential in sulphur dioxide (SO₂) equivalents).
- Emission of gases that contribute to the creation of ground-level ozone (expressed as the sum of ozone-creating potential, ethene-equivalents).
- Emission of substances to water contributing to oxygen depletion (expressed as phosphate (PO₄³⁻) equivalents).

Impacts categories for optional (voluntary) declaration

In accordance with the LCA results of this product category, other categories of impacts with significance may also be declared. Please see Appendix IV for a list of impacts categories for optional (voluntary) declaration.

Resource Recycling and Waste

- hazardous waste (as defined in waste management laws of the country where the waste is generated);
- Recyclable resources or materials (optional information)
- Pre-consumer recyclable materials (optional information)

Note: For characterization factors of each impact category, please refer to *EPD General Programme, Version 2.5 (2015-5-11)*.

11. Recycling information

In order to ensure the comprehensiveness and integrity of the LCA study, reporting of recycling information regarding B2C products is mandatory. The recycling information shall include information such as dis-assembly instructions, which parts/components are suitable for recycling (such as metal cases) or not suitable for recycling. For example, information provided by the end product manufacturer may also be included in the declaration information for products.

If practical, information for the parts which cannot be recycled and reused, and therefore should be disposed of properly during the end-of-life stage may also be included.

12. Other environmental information (Optional)

The EPD may cover information including technology adopted, site of product manufacturing and assembly, as well as information on other working environment, health and risk-related aspects. If the manufacturer is aware that customers are particularly interested in certain aspects, then information related to those aspects may also be declared. For example, the aspects may include how to maintain product during use, how to reduce environmental impacts during product use, whether or what ecolabel the product has acquired; as well as

the most commonly requested emission related to product use, such as odor.

If this PCR is intended to be used for product carbon footprint declaration purpose, in the declaration, information regarding commitment on GHG reduction should be included and shall ensure that the commitment is measurable, reportable and verifiable. The organization may also list environmental and energy management related information, such as awards, commendations and system certifications (e.g., ISO 14001, ISO 14064-1, IECQ HSPM), etc.

13. Information about the certification

The information on PCR review, EPD verification and verification organization shall be included.

EPD Certification is valid until 20XX-__-__	
It is in accordance with the Requirements for the international EPD system, <i>General Programme Instructions, Version 2.5 (2015-05-11) – www.environdec.com.</i>	
The PCR review for _____ (PCR 2017:) was administered by the Environment and Development Foundation and carried out by an LCA expert panel chaired by Dr. Wen-Ching Chen (wenc@edf.org.tw).	
Independent verification of the declaration, according to ISO 14025:2006	
<input type="checkbox"/> Internal <input checked="" type="checkbox"/> External	
Third party verifier: Environment and Development Foundation in Taiwan.	
Accredited by :	
Name:	
Title:	
Organization:	Signature: _____
Name:	
Title:	
Organization:	Signature: _____
Name:	
Title:	
Organization:	Signature: _____
Environmental declarations from different programmes may not be comparable.	

14. References

The EPD established in accordance with this PCR shall refer to the following documents:

- EPD General Programme Instructions, Version 2.5 (2015-05-11), downloadable from: <http://www.environdec.com/en/The-International-EPD-System/General-Programme-Instructions/>
- The underlying LCA report
- ISO 14040, “Environmental management - Life cycle assessment - Principles and framework”, second edition (2006-07-01)
- ISO 14044, “Environmental management - Life cycle assessment - Requirements and guidelines”, first edition (2006-07-01)
- Development of UN’s Central Product Classification (CPC), from the website of National Statistics of the Republic of China (Taiwan)
- Central Product Classification (CPC), Version 2.1 (2015-08)

When available, the following documents shall also be referenced:

- Other documents and recycling instructions that verify and complement the EPD.

Appendix I – Generic Data Sources to Refer to

For processes located within Taiwan, Taiwan generic data or the data published by the commercial, industrial and energy competent authorities of the Republic of China (ROC) government, may be used. However, for other regions (such as EU), if there are more relevant generic data available, these data should be used instead. Data from the following generic databases are recommended for use.

Material	Database	Published
Industrial processes	ecoinvent 3.3	2016
Packing materials, transport, Waste treatments	BUWAL 250, 2 nd edition	2004
Steel, Primary copper, Copper products, Electricity, Fuels, Aluminum, Chemicals, Transports, Waste management	ecoinvent 3.3	2016
	PE-GaBi 14	2014
	ELCD version 3.2	1995-2014
	The Boustead Model 6.0	2013
	EIME (Environmental Information and Management Explorer) EcoBilan	1999-2014
Plastics	PE Plastics Europe (Association of Plastics Manufacturers in Europe)	1993-2016
	PE-GaBi 14	2014
	ELCD version 3.2	1995-2014
	ecoinvent 3.3	2016
	The Boustead Model 6.0	2013
	EIME (Environmental Information and Management Explorer) EcoBilan	1999-2014
Electronic components	PE-GaBi 14	2014
	ELCD version 3.2	1995-2014
	ecoinvent 3.3	2016
	The Boustead Model 6.0	2013
	EIME (Environmental Information and Management Explorer) EcoBilan	1999-2014
LCA Database in Taiwan	Carbon Footprint Calculation Platform	2017
	DoITPro	2017

Appendix II – Reporting Format for the EPD

This appendix provides guidance information for the titles of sections, types of data and required information to be reported in the mandatory reporting part of the EPD. As a generic reporting template, the following titles and sub-titles are recommended:

(Refer to the PCR manual for the section numbering, the information in Italics are the recommended data/information for inclusion)

Introductory part

Each EPD should have an introduction part on the top part of the EPD which includes the following information:

- *Company/organization name*
- *Product name*
- *EPD registration number*

Description of the company/organization and product/service

Company/Organization

- *Description of company/organization*
- *Description of overall working environment, existing quality system and environmental management system*

Product and services (see Section 2)

- *Product's main applications*
- *Description of product specification, manufacturing process, manufacturing sites (if there are several sites)*
- *For product's environmental performance aspects, characteristics which may improve the usefulness of product*
- *Other types of relevant information, for example, special manufacturing processes with special advantages to the environment*

List of materials and chemical substances

- *Content declaration (see Section 3)*

Presentation of the environmental performance

- *Outline of the LCA methodology, for example, period of LCA, declared units, system boundaries (graphical presentation), cut-off and allocation rules, and data sources. (see Section 5~10)*

Raw Materials acquisition stage

Manufacturing stage

Distribution, Use and End-of-Life stage

- *Geographical area where the product is delivered*
- *Transport data*
- *Design life*
- *Description of state of usage and energy consumption*
- *Annual power consumption and annual global warming potential*
- *End of life information*

Information about Company and Certification Organization

Recycling information (see Section 11)

Other environmental information (see Section 12)

Information regarding certification (see Section 13)

- *Names of certification and verification organizations*
- *Validity of certification certificates*
- *Compliance with legal and relevant requirements*

References (see Section 14)

- *relevant PCR documents*

- *EPD General Programme Instructions, Version 2.5 (2015-05-11)*
- *underlying LCA study*
- *other supporting documents for LCA information*
- *other relevant documents regarding company/organization's environmental activities*

Appendix III Abbreviations

Acronyms	Common Name
APLAC	Asia Laboratory Accreditation Cooperation
CFP	Carbon Footprint of Product
EPD	Environmental Product Declaration
ErP	Energy Related Product
ILAC	International Laboratory Accreditation Cooperation
ILAC MAR	International Laboratory Accreditation Cooperation Mutual Recognition Arrangement
ISO	International Organization for Standardization
LCA	Life Cycle Assessment
PCR	Product Category Rule
RoHS	The Restriction of the use of certain Hazardous Substances in electrical and electronic equipment
SPI	Society of the Plastics Industry
TAF	Taiwan Accreditation Foundation
TEC	Typical Energy Consumption
Trpt	Transportation
WEEE	The Waste Electrical and Electronic Equipment Directive

Appendix IV List of Impacts Categories for Optional (Voluntary) Declaration

The following categories of impacts may be declared on a voluntary basis.

- Consumption of water resource (expressed as m³ of water consumed)
- Emissions of ozone-depleting gases (expressed as the sum of ozone-depleting potential in mass of CFC₁₁-equivalents, 20 years)
- Change in land use and resulting change in production
- Depletion of non-biological resources
- Depletion of non-renewable resources, for example abiotic resource depletion potential (excluding primary energy)
- Eutrophication potential
- Ozone depletion potential – stable form/unlimited
- Photochemical ozone creation potential or smog
- Primary energy demand for non-renewable resource (in MJ)
- Primary energy demand for renewable resource (in MJ)